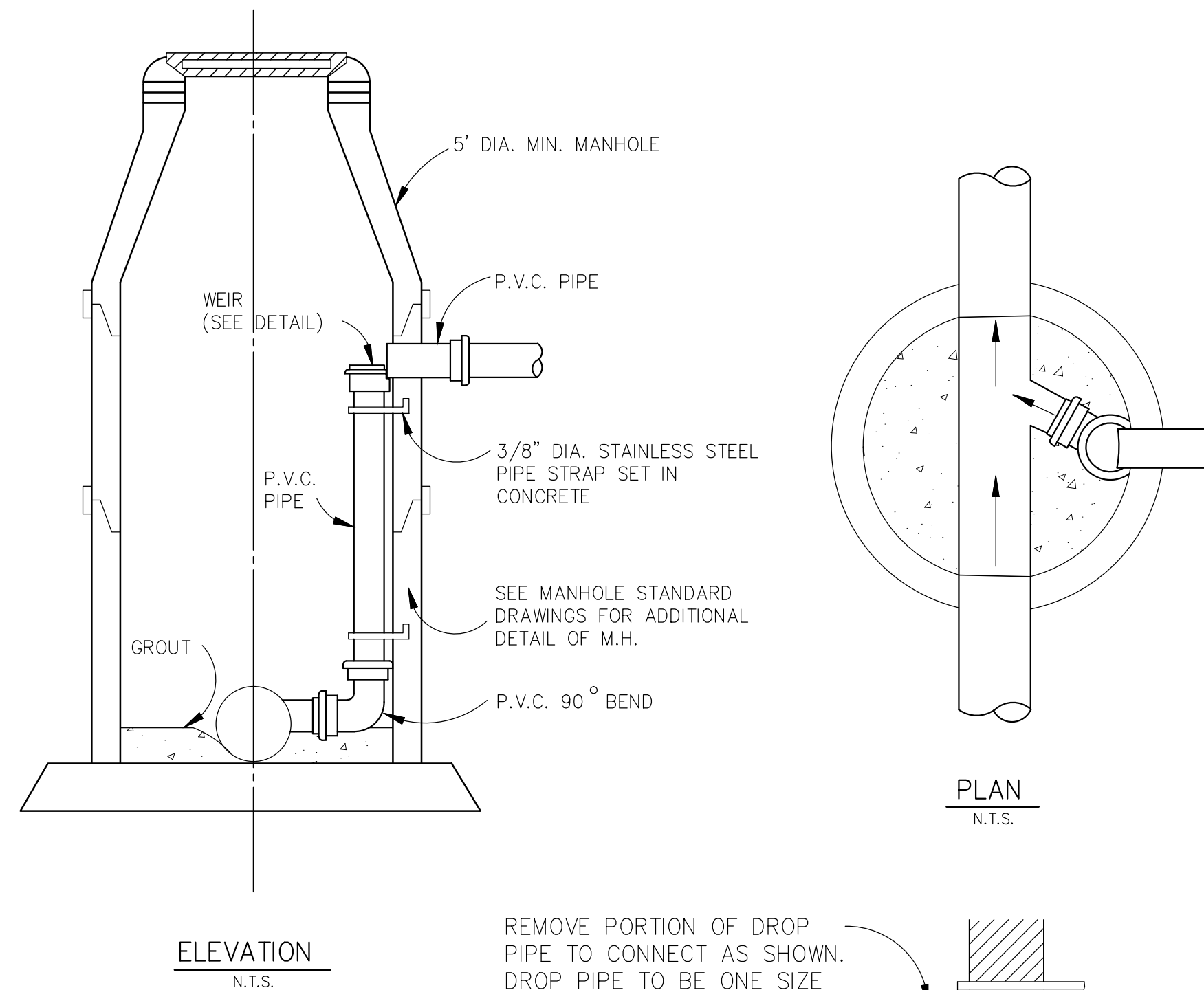


NOTE:  
THIS DETAIL FOR USE ONLY WHEN NEW MAIN WILL NOT MATE WITH EXISTING MAIN JOINT DUE TO DIFFERENT DIMENSIONS OR MATERIALS AND A MANHOLE IS NOT REQUIRED.

1 SANITARY SEWER MAIN TIE-IN AT CLEANOUT OR MANHOLE STUBOUT

- NOTES:
1. CONSTRUCTION OF MANHOLES, LATERALS, AND SEWER SERVICES SHALL BE IN ACCORDANCE WITH THE CITY DESIGN CRITERIA.
  2. LINES 6" AND LARGER SHALL BE CONNECTED TO THE MAIN LINE VIA A MANHOLE.
  3. CONNECTIONS TO MANHOLES SHALL BE CORED AND GROUTED WITH QUADEX OR APPROVED EQUAL.
  4. FIBERGLASS MANHOLES AND INSERTS MAY BE USED WITH PRE-APPROVAL FROM THE CITY OF MIDLOTHIAN.

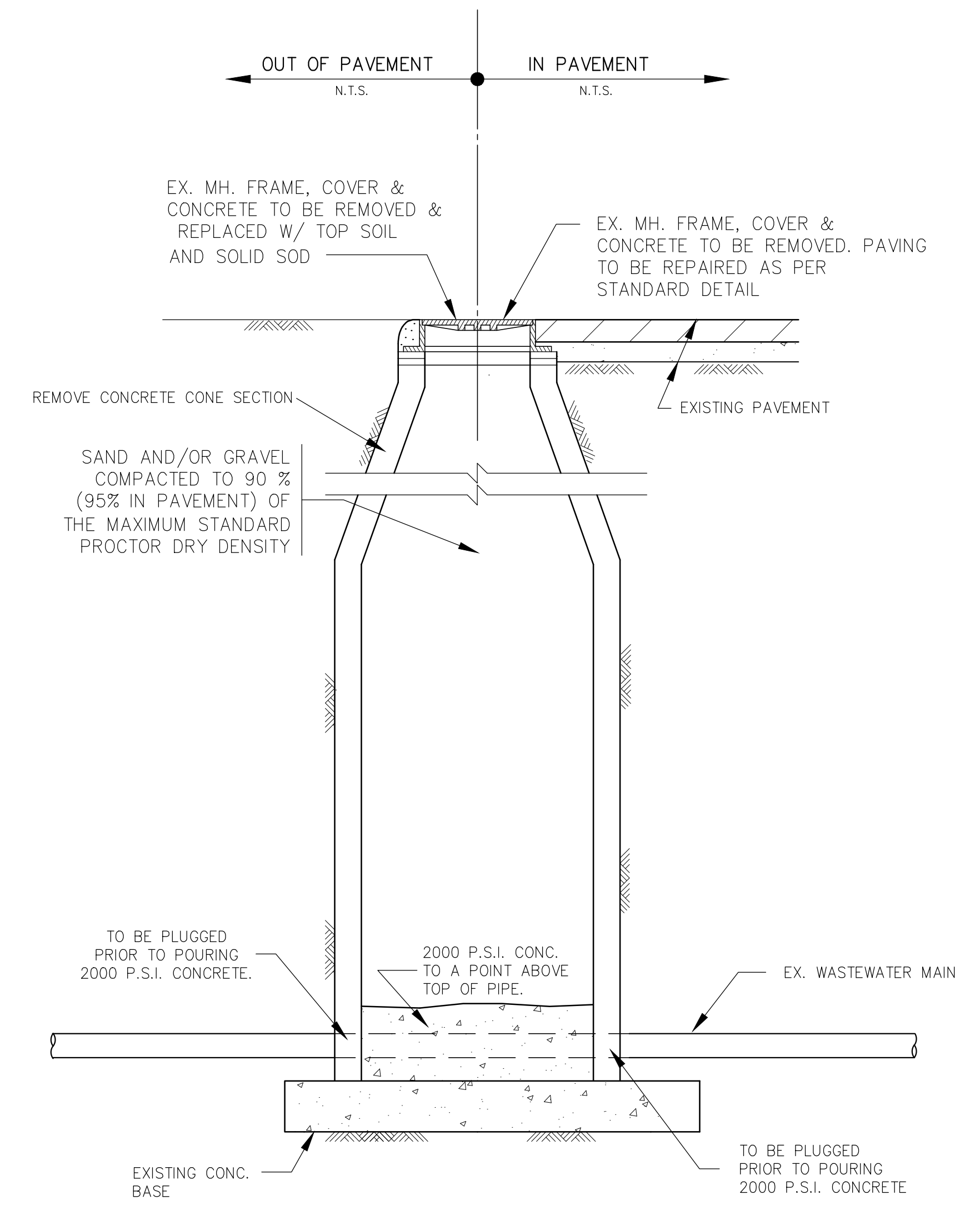
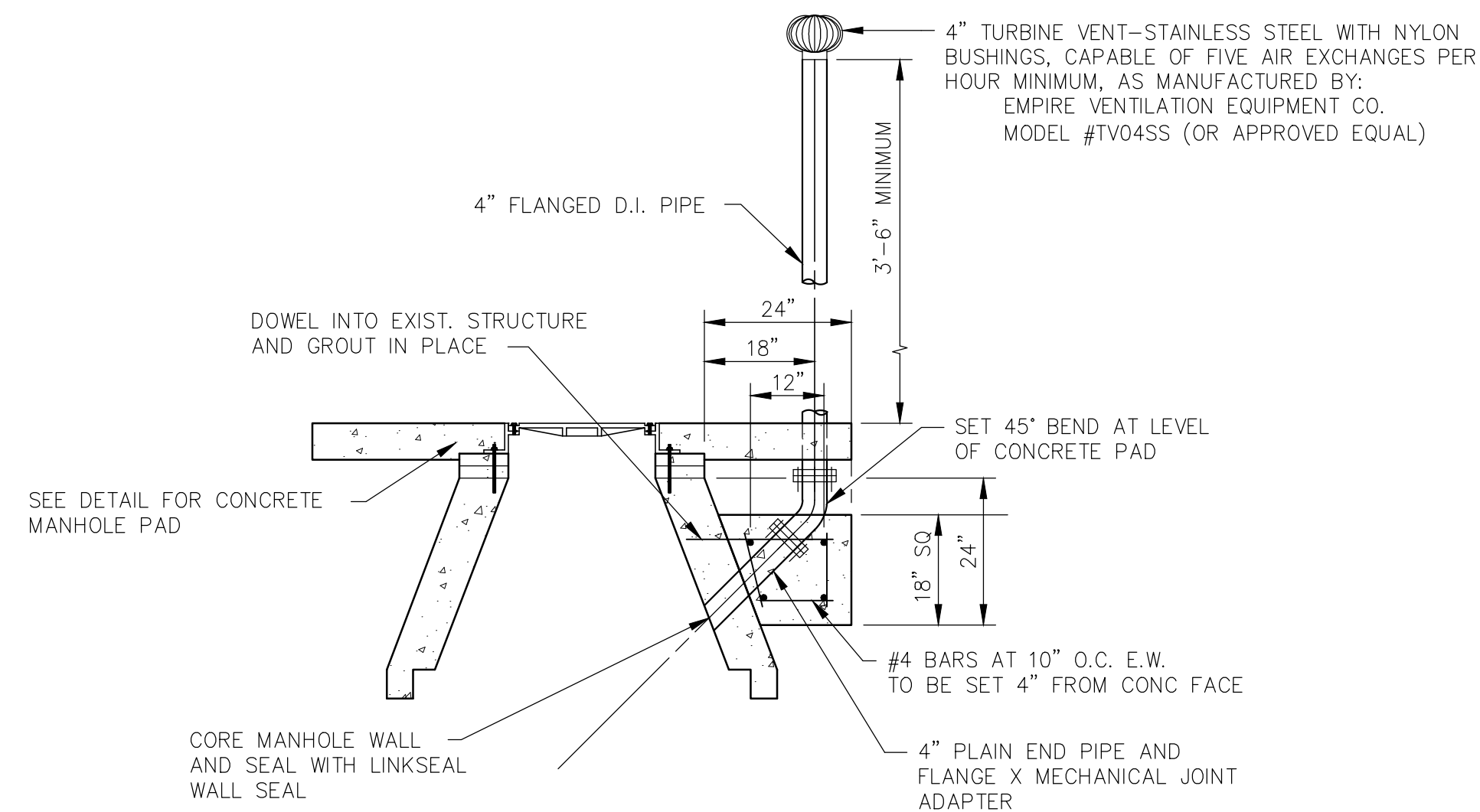


REMOVE PORTION OF DROP PIPE TO CONNECT AS SHOWN. DROP PIPE TO BE ONE SIZE LARGER THAN INLET PIPE.

NOTE:  
FLOW LINE OF SURCHARGE LINE NORMALLY PLACED AT TOP OF EXISTING WASTEWATER LINE UNLESS NOTED OTHERWISE ON PLANS.

2 INSIDE DROP SANITARY SEWER MANHOLE

NOTE:  
MANHOLE VENTS SHALL BE INSTALLED ON MANHOLES IN ACCORDANCE WITH TCEQ SPACING REQUIREMENTS.



NOTE: THIS IS SHT. SD-24 OF THE STANDARD CONSTRUCTION DETAILS, ORDINANCE NO. 2013-51 EFFECTIVE DATE: JANUARY 1, 2014

CITY OF MIDLOTHIAN, TEXAS  
DEPARTMENT OF ENGINEERING,  
UTILITIES, AND PUBLIC WORKS

STANDARD CONSTRUCTION DETAILS  
SANITARY SEWER

ABANDONMENT, VENTILATION,  
TIE-IN, & DROP MANHOLE



NO.	REVISION	DATE	SHEET
			SD-24