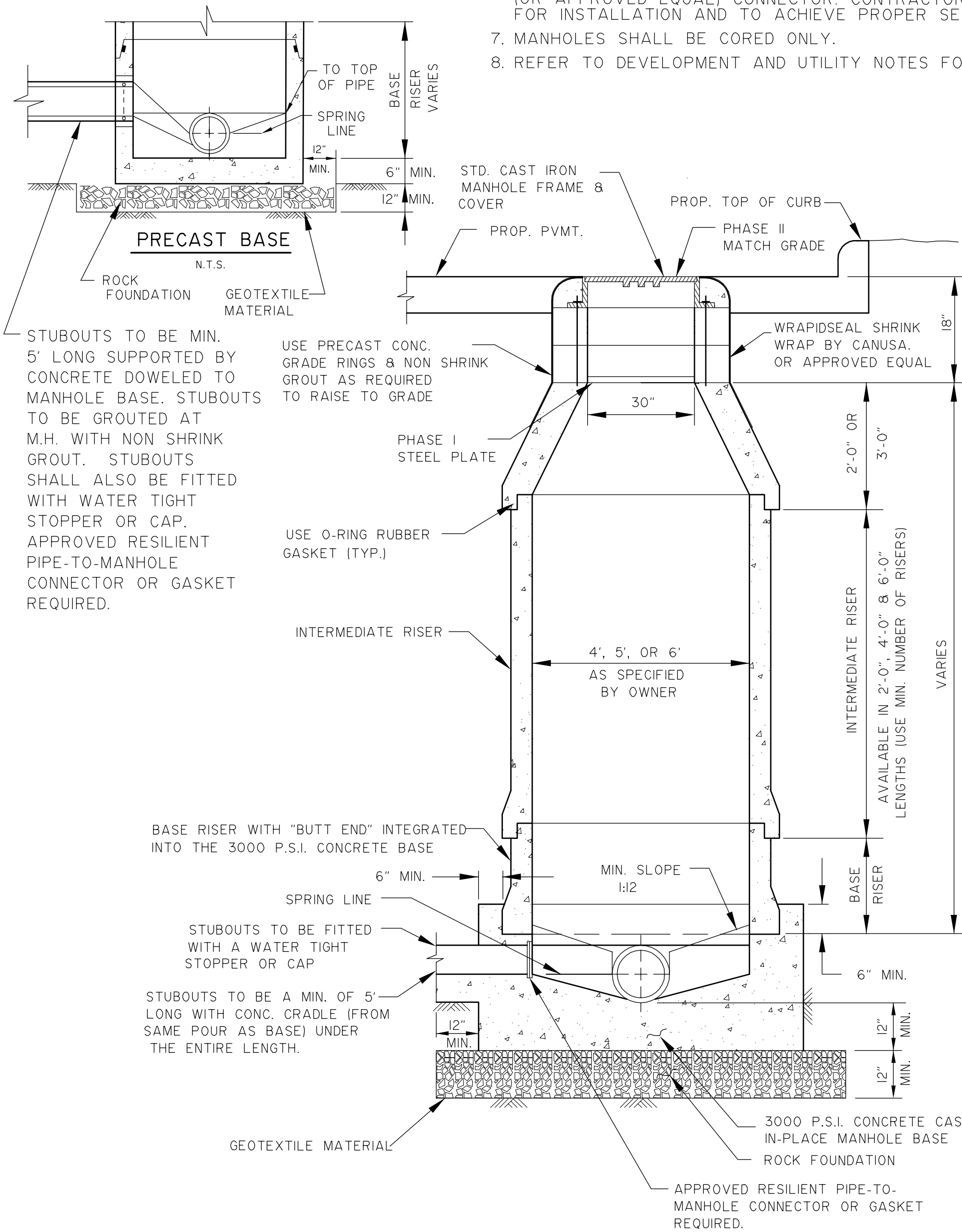


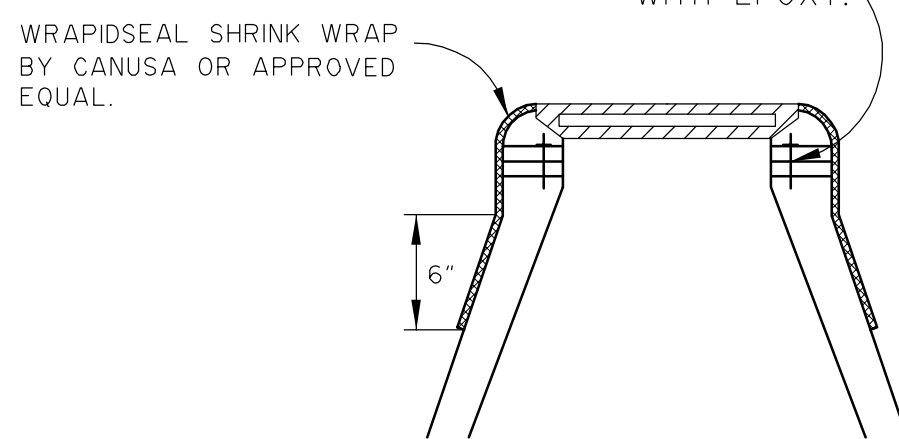
**NOTES:**

- WHERE M.H.'S ARE IN "PROPOSED" PAVING, STEEL PLATE SHALL BE SET 18" BELOW THE PROPOSED PAVEMENT GRADE.
- FIRST MAIN LINE JOINT TO BE A MIN. OF 5' LONG WITH CONC. CRADLE (FROM SAME POUR AS BASE) UNDER THE ENTIRE LENGTH.
- MANHOLES PER ASTM C478.
- RAIN CATCHER TO BE INSTALLED WITH MANHOLE.
- PENETRATION INTO MANHOLES SHALL BE SEALED TO WATER TIGHTNESS WITH QUADEX OR APPROVED EQUAL.
- PIPE CONNECTIONS AT MANHOLES SHALL USE A KOR-N-SEAL OR PSX DIRECT DRIVE (OR APPROVED EQUAL) CONNECTOR. CONTRACTOR SHALL FOLLOW MANUFACTURER'S RECOMMENDATIONS FOR INSTALLATION AND TO ACHIEVE PROPER SEAL WITHOUT VOIDING WARRANTY.
- MANHOLES SHALL BE CORED ONLY.
- REFER TO DEVELOPMENT AND UTILITY NOTES FOR MANHOLE LINING REQUIREMENTS.

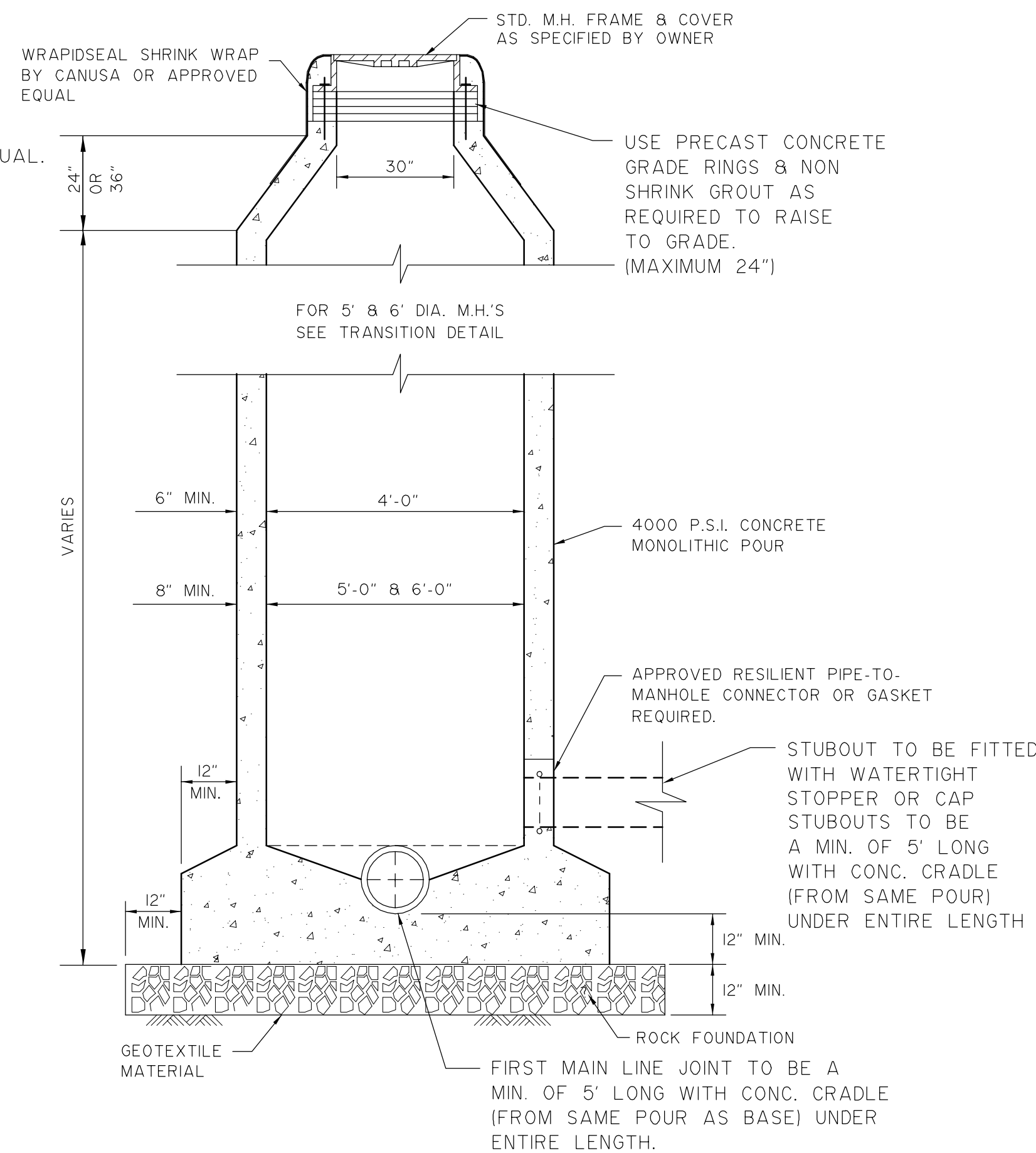


1 PRECAST SANITARY SEWER MANHOLE

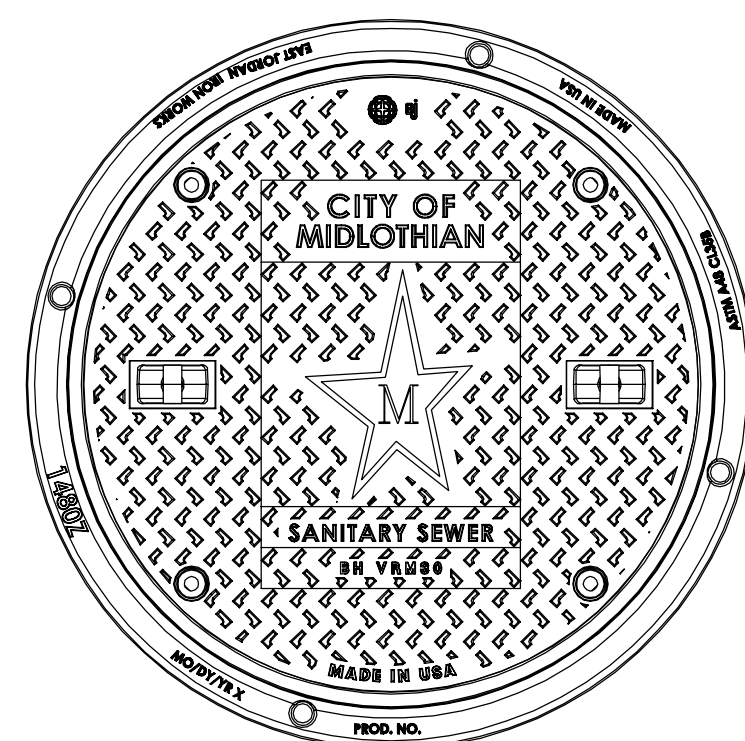
4-1"φ X 8" LONG GALVANIZED ANCHOR BOLTS & NUTS. (BOLTS SHALL BE LONGER IF GRADE RINGS ARE USED SO THAT THE BOLTS ARE EMBEDDED A MINIMUM OF 6" INTO CONE SECTION.) SET IN PLACE WITH EPOXY.



5 MANHOLE FRAME ANCHOR & SEAL (TYPICAL ON ALL MANHOLES)

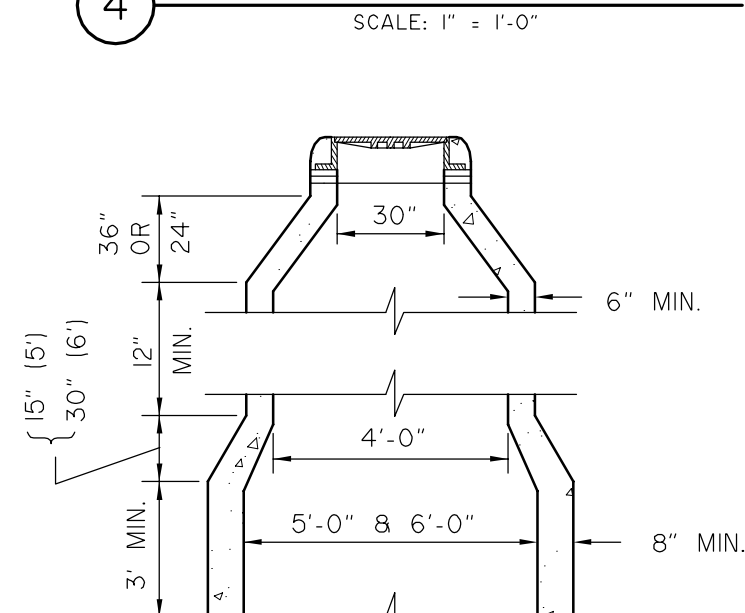


2 CAST-IN-PLACE SANITARY SEWER MANHOLE

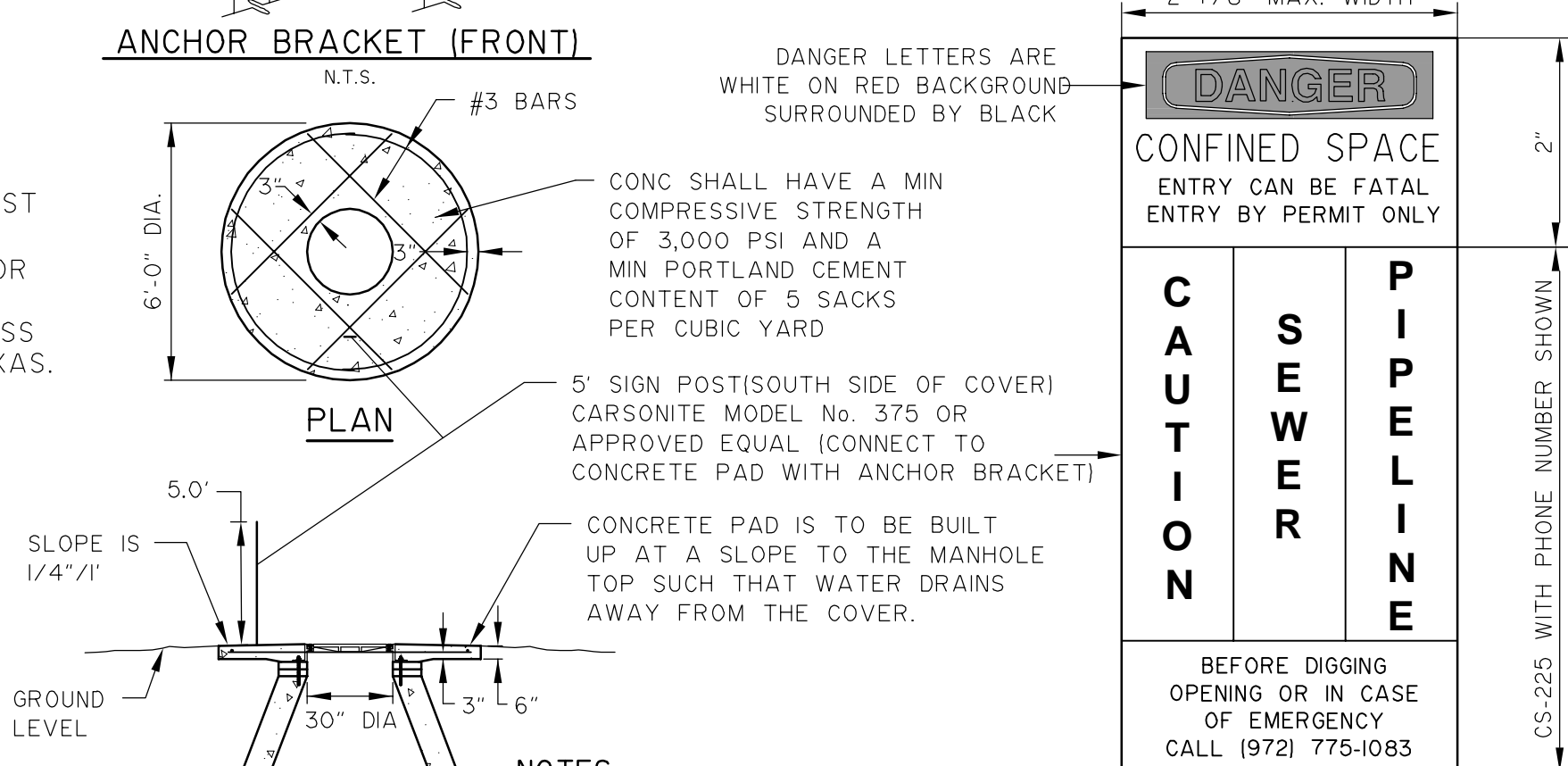
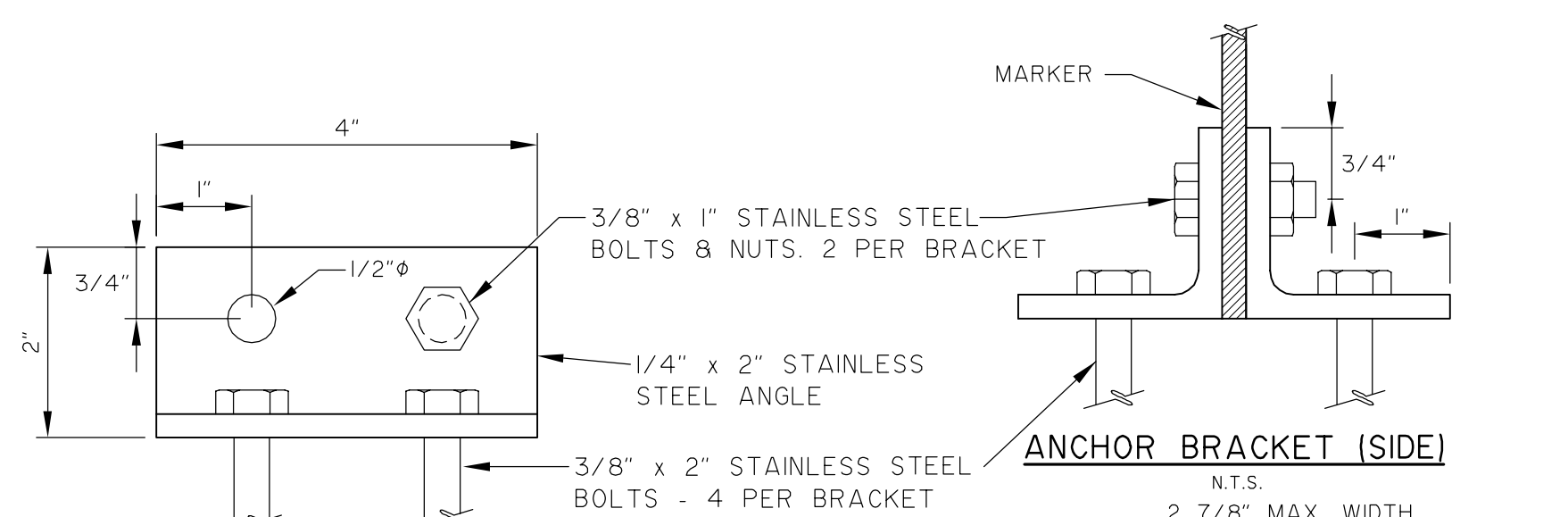


**NOTE:** MANHOLE COVER AND FRAME SHALL BE EAST JORDAN IRON WORKS, INC. NO. 1480 Z AND 1495 A FOR REGULAR FRAME AND COVER OR 1480 ZPT AND 1495 APT FOR BOLT DOWN FRAME AND COVER. LOCAL SUPPLIER IS BASS & HAYS FOUNDRY, INC., GRAND PRAIRIE, TEXAS.

4 MANHOLE COVER DETAIL

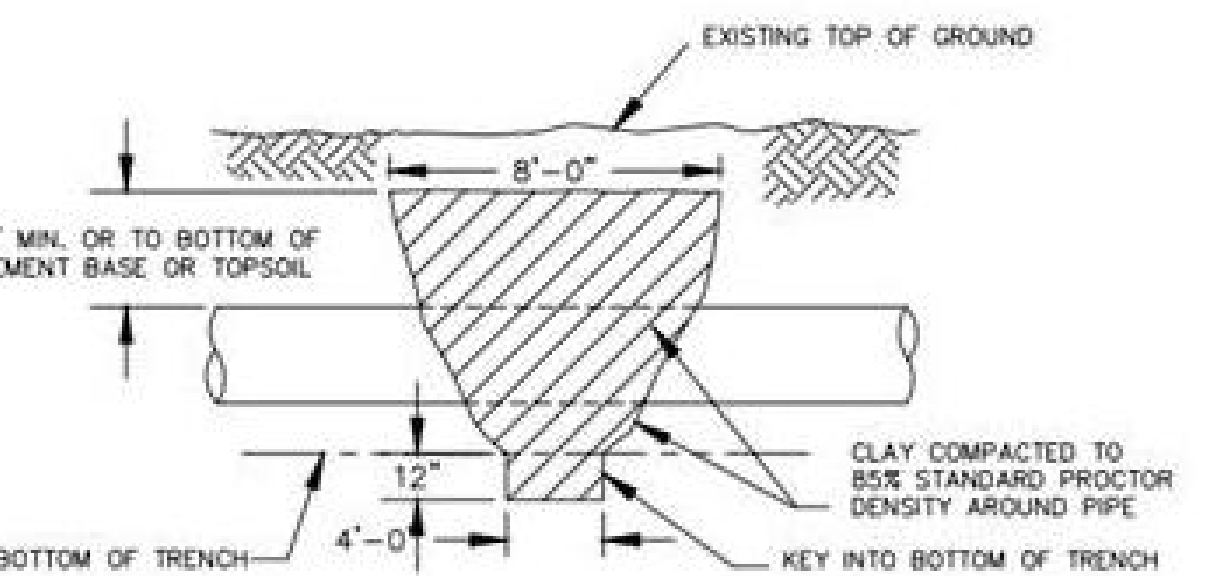
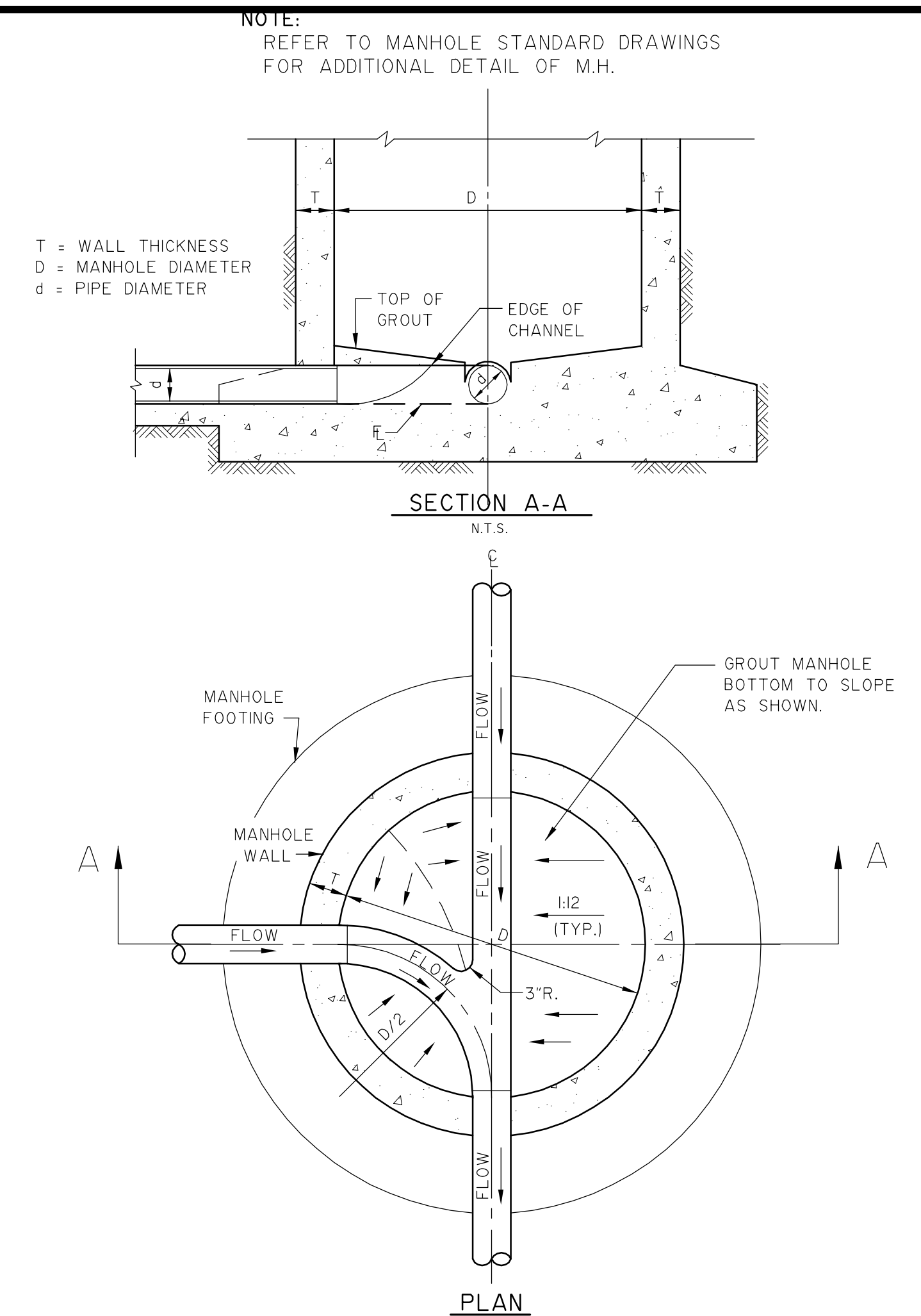


6 TRANSITION DETAIL FOR 5' & 6' DIA. M.H.'S



- NOTES:**
- CONCRETE PAD IS TO BE CONSTRUCTED FLUSH WITH THE NATURAL GROUND.
  - SIGN POSTS SHALL BE PLACED ON SOUTH SIDE OF MANHOLE COVER. AFFIXED SIGN IS TO FACE NORTH ONLY ON ALL MANHOLES IN UNDEVELOPED AREAS.
  - CONTRACTOR RESPONSIBLE FOR COMPACTION UNDER PAD PER NCTCOG ITEM 504.

7 CONCRETE MANHOLE PAD & MARKER



- CLAY SHALL SERVE AS A WATER STOP.
- CLAY SHALL HAVE A HIGH P.I. (NOT LESS THAN 18)
- SEE PLAN AND PROFILE SHEETS FOR LOCATION OF CLAY DAM.
- MINIMUM 1,000' SPACING OR AS REQUIRED.

8 CLAY DAM DETAIL

**NOTE:** THIS IS SHT. SD-22 OF THE STANDARD CONSTRUCTION DETAILS, ORDINANCE NO. 2013-51 . EFFECTIVE DATE: JANUARY 1, 2014 REV. 1 - ORDINANCE NO. 2020-31

CITY OF MIDLOTHIAN, TEXAS DEPARTMENT OF ENGINEERING, UTILITIES, AND PUBLIC WORKS			
STANDARD CONSTRUCTION DETAILS SANITARY SEWER			
SANITARY SEWER MANHOLE DETAILS			
NO.	REVISION	DATE	SHEET
			SD-22

