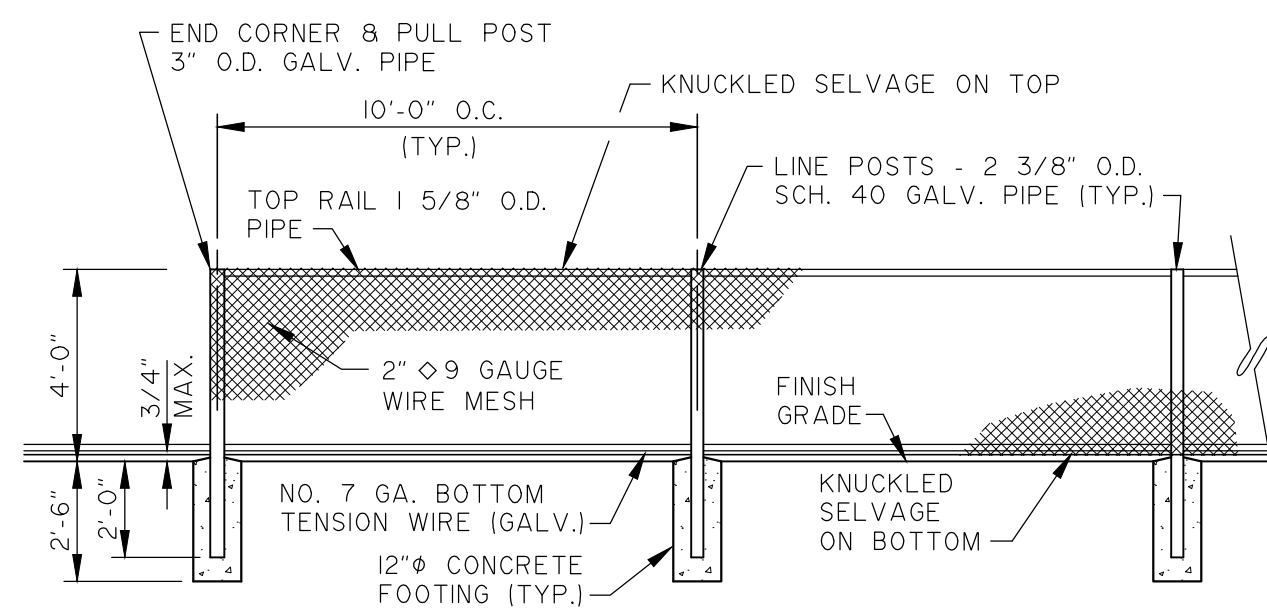
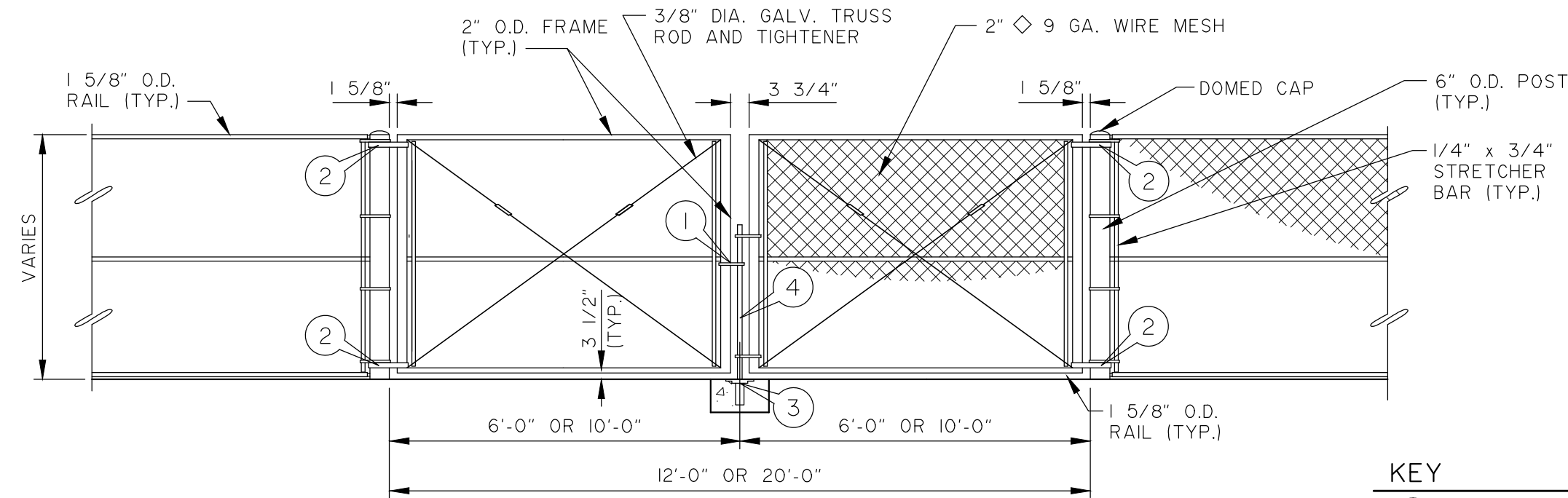


① 5 STRAND BARBED WIRE FENCE & GALVANIZED DOUBLE GATE
N.T.S.



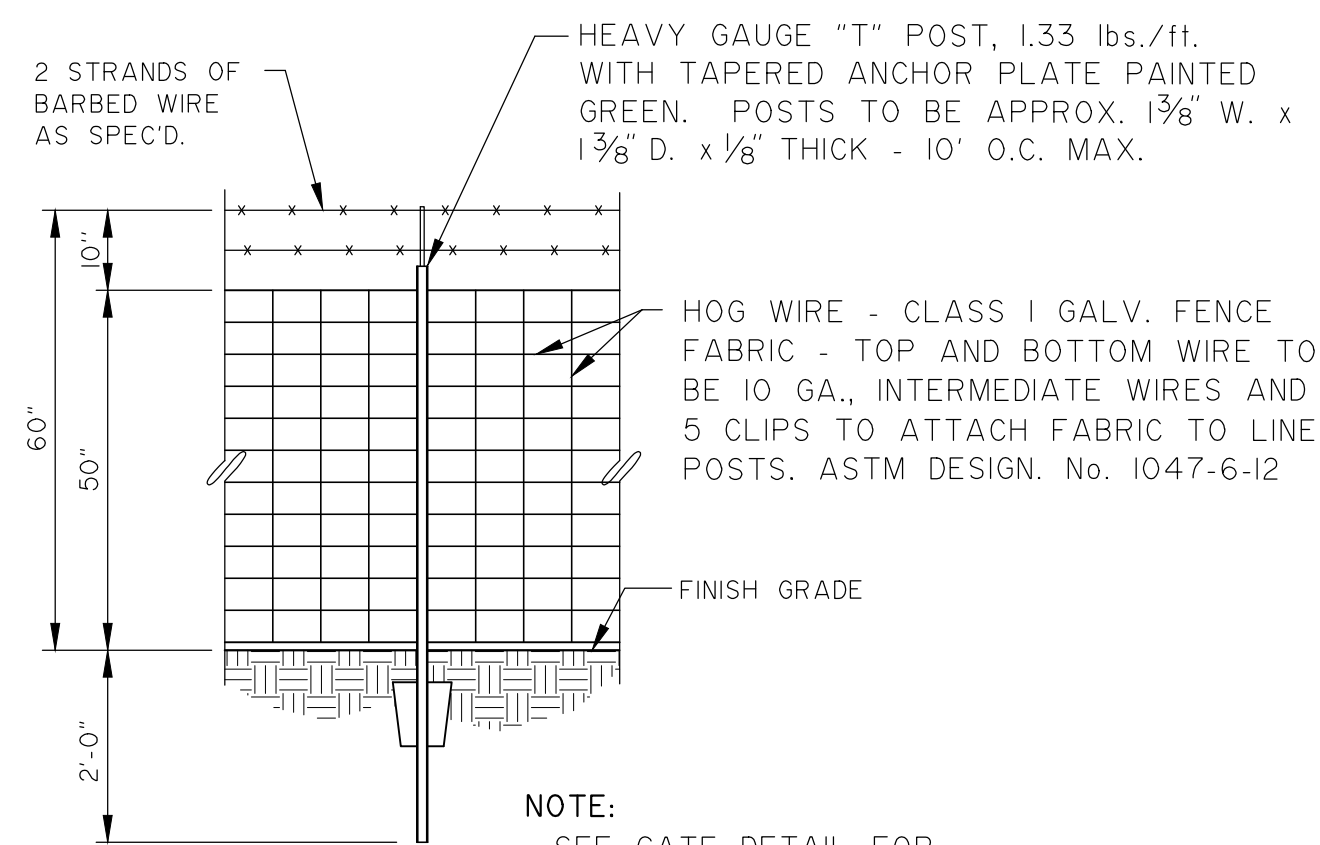
NOTE:
CONCRETE FOOTING TO BE 3000 PSI CONCRETE MINIMUM.
(ANCHOR PLATE MAY BE SUBSTITUTED IN PLACE OF CONCRETE FOOTING IF PLACED ON TOP OF RETAINING WALL.)

② 4' HIGH CHAIN LINK FENCE
N.T.S.



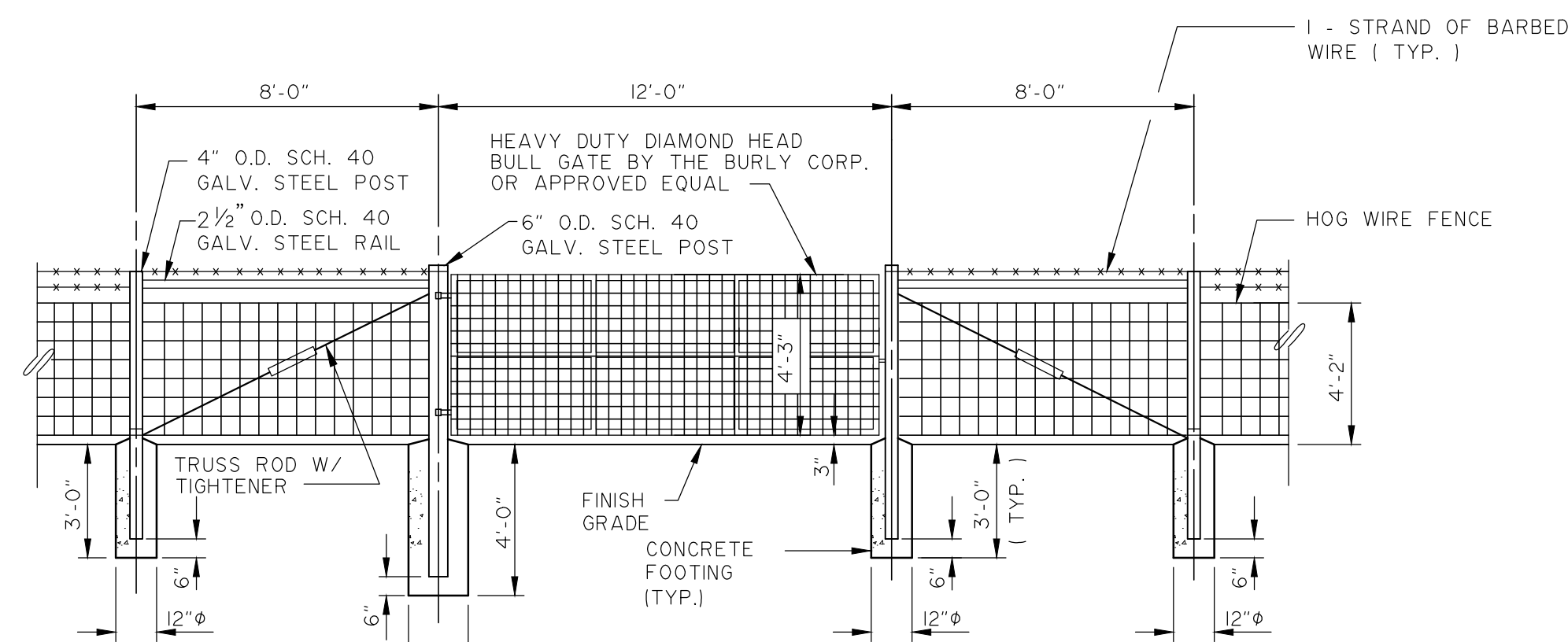
NOTE:
NO WELDING SHALL BE ALLOWED ON GATES.

③ 12' OR 20' DOUBLE CHAIN LINK FENCE GATE
N.T.S.



NOTE:
SEE GATE DETAIL FOR CONCRETE FOOTING.

④ HOG WIRE FENCING
N.T.S.



NOTE:
CONCRETE FOOTING TO BE 3000 PSI CONCRETE MINIMUM.
(ANCHOR PLATE MAY BE SUBSTITUTED IN PLACE OF CONCRETE FOOTING IF PLACED ON TOP OF RETAINING WALL.)

⑤ 12' WIDE GALVANIZED STEEL GATE FOR HOG WIRE FENCING
N.T.S.

NOTE:

- INTRUDER-RESISTANT FENCE--A FENCE SIX FEET OR GREATER IN HEIGHT, CONSTRUCTED OF METAL WITH THREE STRANDS OF BARBED WIRE EXTENDING OUTWARD FROM THE TOP OF THE FENCE AT A 45 DEGREE ANGLE WITH THE SMOOTH SIDE OF THE FENCE ON THE OUTSIDE WALL. THE FENCE MUST BE IN GOOD REPAIR AND CLOSE ENOUGH TO SURFACE GRADE TO PREVENT INTRUDER PASSAGE.
- ALL BARBED WIRE SHALL BE LOCATED ON THE INSIDE OF THE POSTS.

NOTE: THIS IS SHT. SD-6 OF THE STANDARD CONSTRUCTION DETAILS, ORDINANCE NO. 2013-51 EFFECTIVE DATE: JANUARY 1, 2014

CITY OF MIDLOTHIAN, TEXAS
DEPARTMENT OF ENGINEERING,
UTILITIES, AND PUBLIC WORKS

STANDARD CONSTRUCTION DETAILS
PAVING

FENCING DETAILS



NO:	REVISION:	DATE:	SHEET:
			SD-6