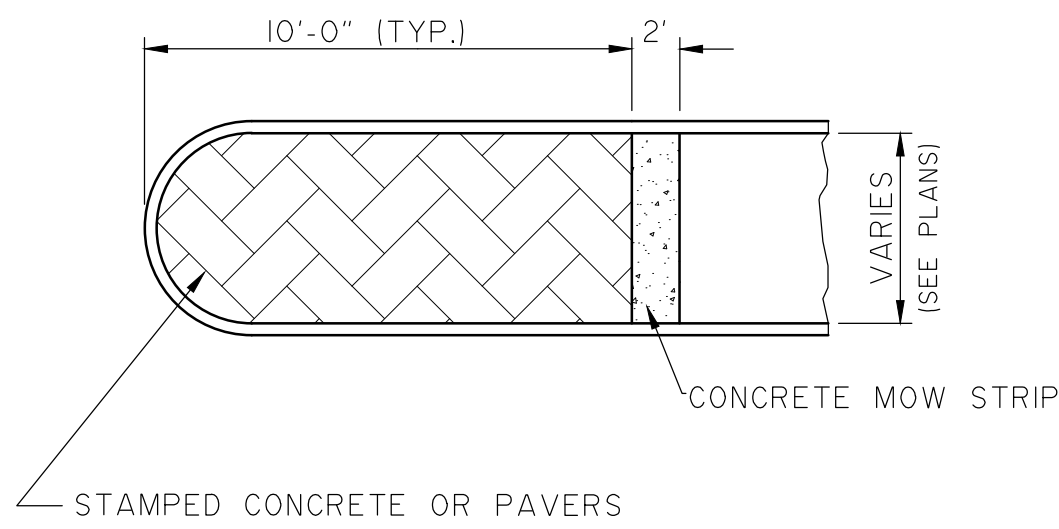
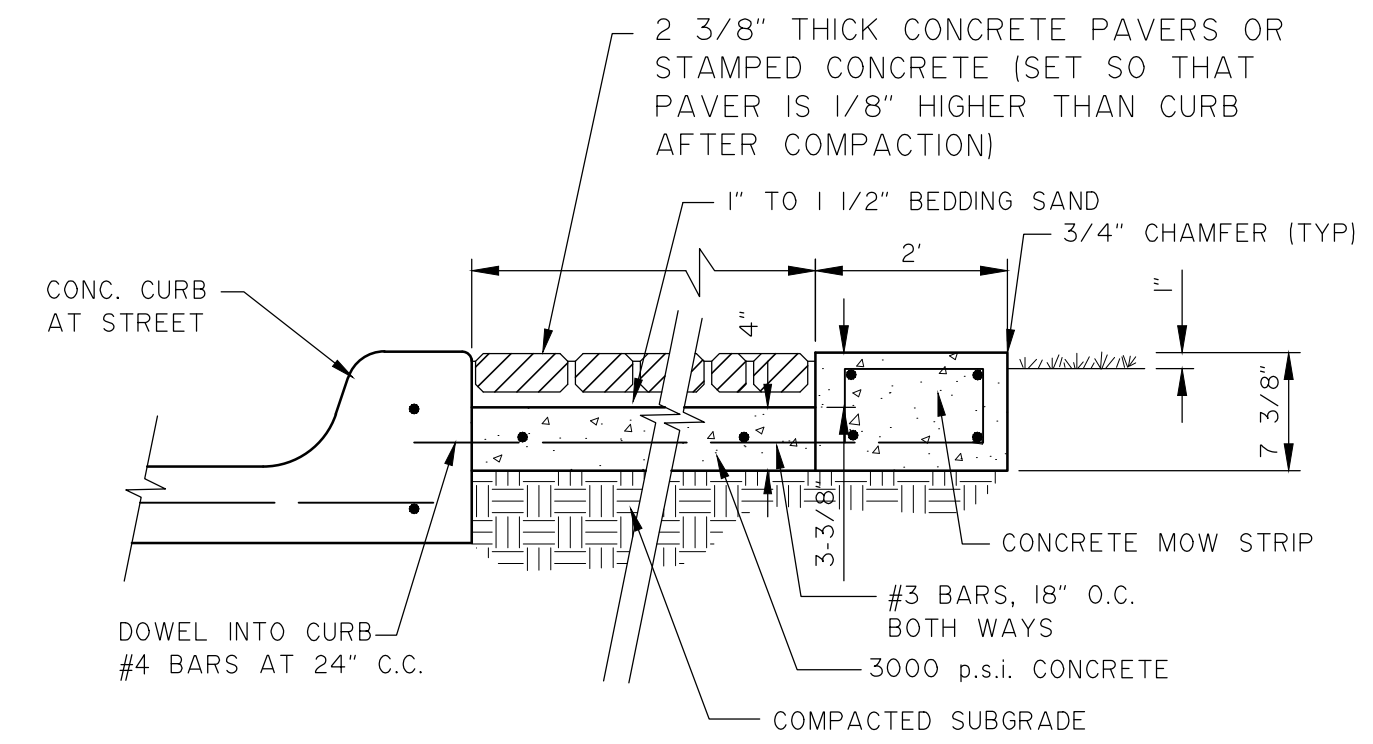


1 BULLET NOSE DETAIL
N.T.S.

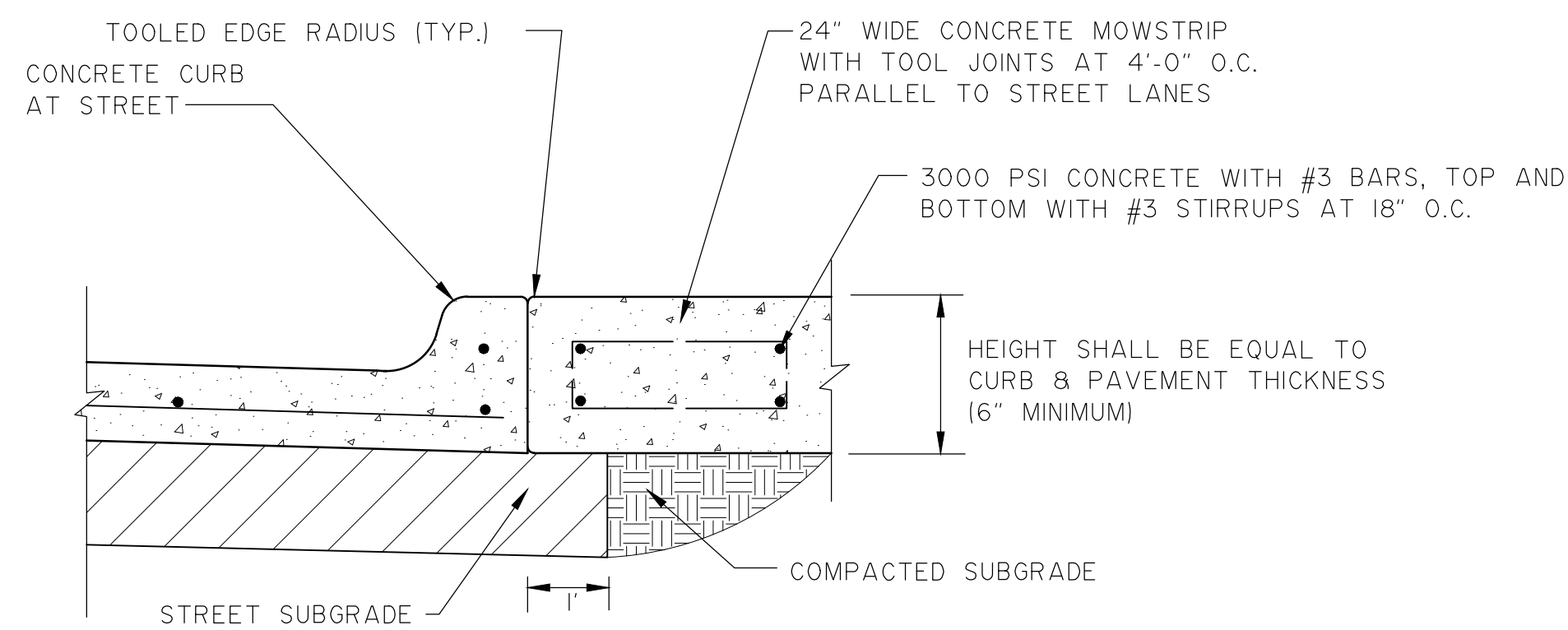


NOTE:
IF MEDIAN IS 6' WIDE OR LESS, PATTERN SHALL EXTEND TO MEDIAN TRANSITION FROM NOSE. FOR MEDIANS WIDER THEN 6', PATTERN SHALL EXTEND 10' FROM NOSE. ALL DISTANCES ARE MINIMUMS. COLOR TO BE DECIDED BY CITY.

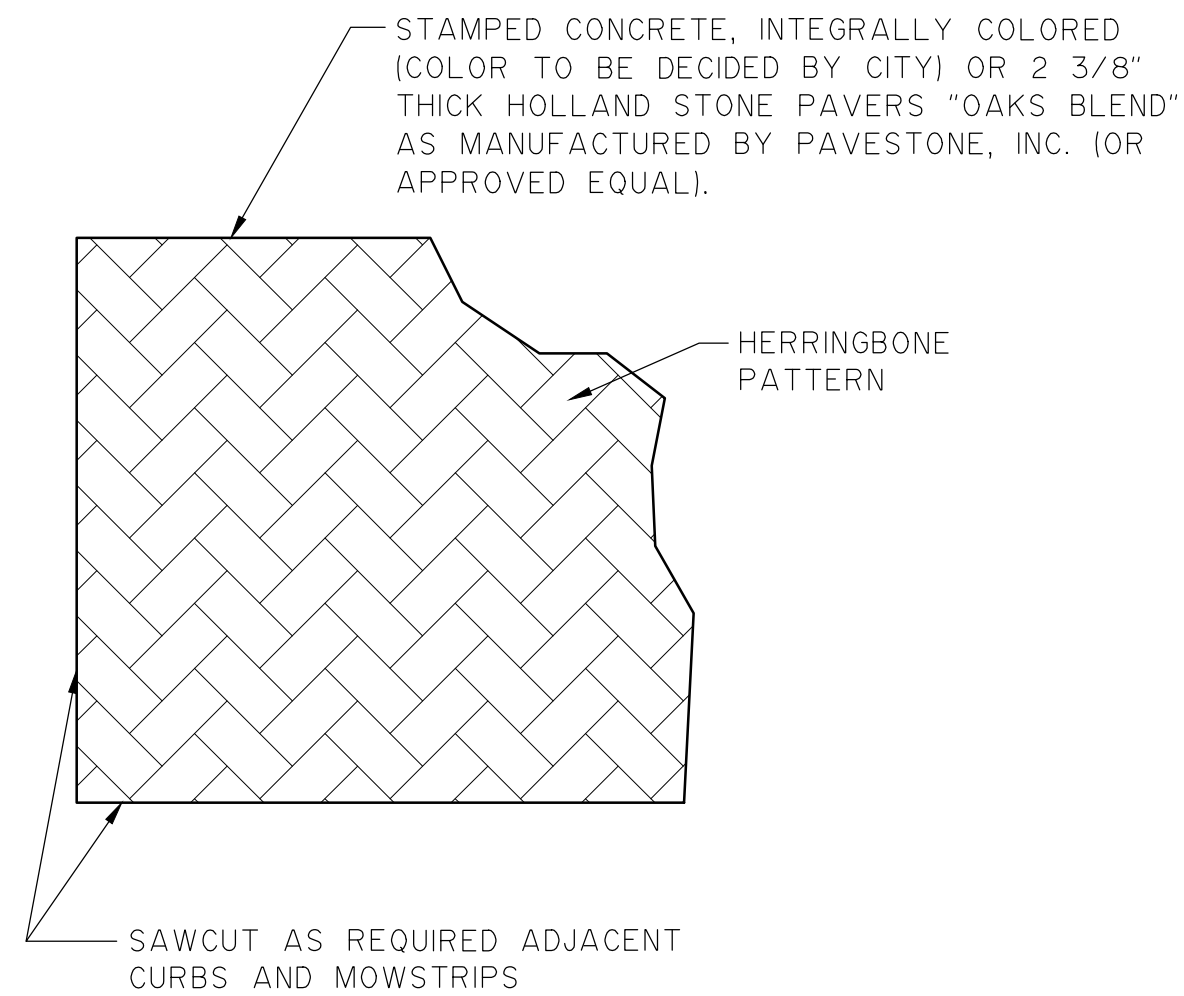
2 TYPICAL MEDIAN NOSE
N.T.S.



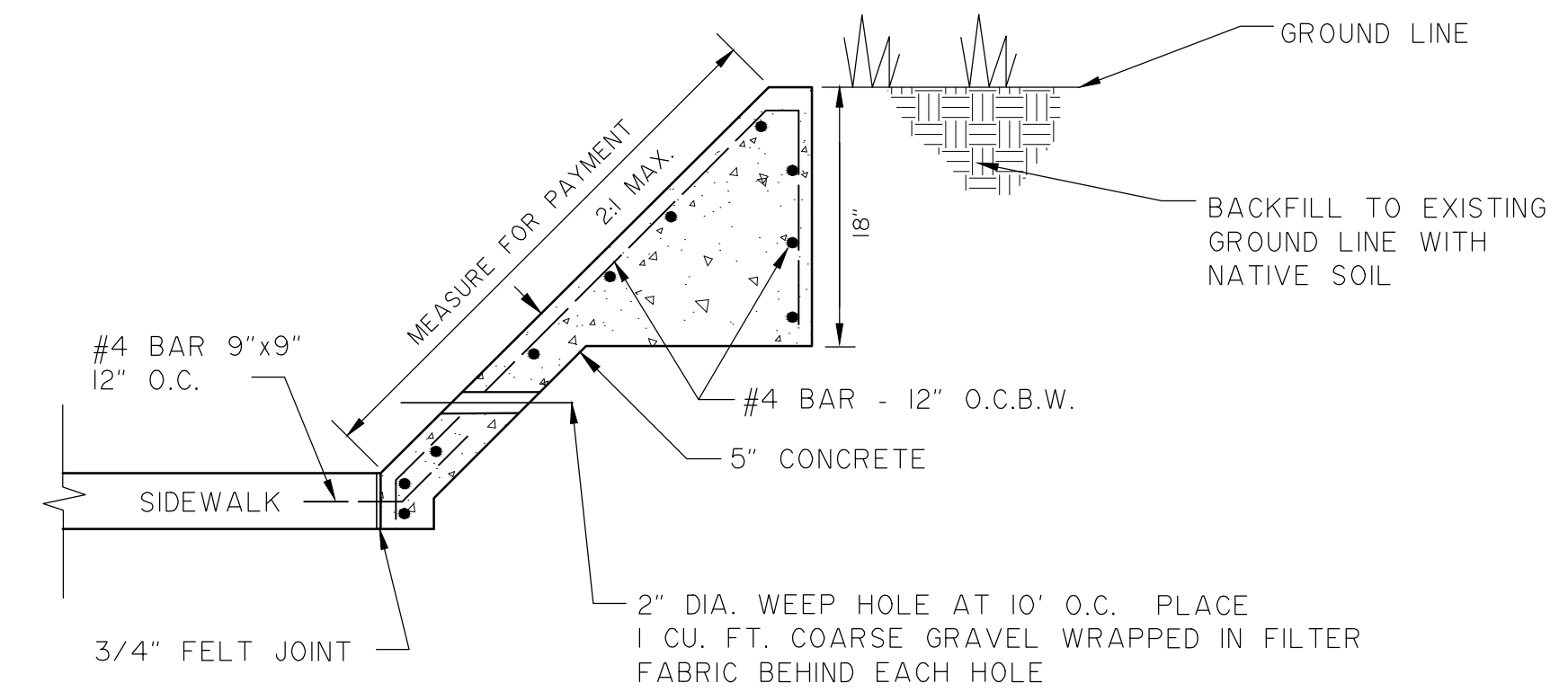
3 CONCRETE PAVER DETAIL AT MEDIAN NOSE
N.T.S.



4 24" CONCRETE MOWSTRIP AT CURB
N.T.S.



5 CONCRETE PATTERN (STAMPED OR PAVERS)
N.T.S.



NOTES:
1. STEEL TO BE PLACED IN CENTER OF SECTION.
2. ALL CONCRETE TO BE 28 DAY, 3,000 psi.
3. PLACE CONTRACTION JOINTS AT 15' CENTERS. MATCH SIDEWALK JOINTS WHERE APPLICABLE
4. USE TYPICAL CONSTRUCTION JOINT WHERE NECESSARY.

6 TYPICAL RIP-RAP
N.T.S.

8 GENERAL NOTES

- ALL JOINTS SHALL BE EPOXY SEALED. COLOR TO MATCH PAVEMENT. (NO BLACK)

7 INSTALLATION OF PAVERS

THE INTERLOCKING CONCRETE PAVERS SHALL BE LAID IN A HERRINGBONE PATTERN AND SHALL BE LAID IN SUCH A MANNER THAT THE SPECIFIED PATTERN SHALL BE MAINTAINED THROUGHOUT AND JOINTS BETWEEN PAVERS SHALL NOT EXCEED ONE-EIGHTH INCH (1/8"). STRING LINES SHALL BE USED TO KEEP ALL PATTERN LINES STRAIGHT AND TRUE.

- GAPS WHICH OCCUR AT THE EDGE OF THE PAVER AREA SHALL BE FILLED WITH A STANDARD EDGE PAVER OR WITH PAVERS CUT TO FIT. CUTTING SHALL BE ACCOMPLISHED TO PRODUCE A NEAT, CLEAN EDGE WHERE PAVERS ABUT CONCRETE PAVING, DIVIDERS OR CURBS.
- A MASONRY SAW SHALL BE USED FOR CUTTING ALL PAVERS UNLESS OTHERWISE APPROVED BY THE CITY ENGINEER. NO CUT SHALL BE MADE WHERE LESS THAN ONE-THIRD (1/3) OF THE ORIGINAL PAVER DIMENSION IS LEFT.
- PAVERS SHALL BE VIBRATED INTO THE SAND BEDDING OR LAYING COURSE USING A VIBRATOR CAPABLE OF 3,000 TO 5,000 psi COMPACTION FORCE WITH THE SURFACE OF THE PAVERS CLEAN AND THE JOINTS OPEN. THE VIBRATING PROCESS SHALL BE REPEATED AS NECESSARY TO BRING PAVERS TO THEIR FINAL LEVEL AND TO COMPACT THE UNDERLYING BEDDING COURSE AND FORCE SAND UP INTO THE JOINTS.
- FOLLOWING VIBRATION, CLEAN SHARP SAND, WITH 100% PASSING THE No. 4 SIEVE AND A MAXIMUM OF 5-10% PASSING THE No. 200 SIEVE, SHALL BE APPLIED OVER THE PAVER SURFACE, ALLOWED TO DRY AND VIBRATED INTO THE JOINTS WITH ADDITIONAL VIBRATOR PASSES AND BRUSHING NECESSARY TO COMPLETELY FILL THE JOINTS.
- ALL SURPLUS MATERIAL SHALL THEN BE SWEEPED CLEAN FROM THE SURFACE OF THE PAVERS AND ALL SURPLUS CONSTRUCTION MATERIAL SHALL BE REMOVED FROM THE SITE. CARE SHOULD BE EXERCISED SO THAT OTHER CONSTRUCTION ACTIVITIES WITHIN THE AREA SHALL NOT DAMAGE THE COMPLETED PAVER INSTALLATION. ANY PAVERS DAMAGED SHALL BE REMOVED AND REPLACED BY THE CONTRACTOR AT THEIR EXPENSE.
- NEW URBANIST DESIGNS WILL BE REVIEWED ON A CASE BY CASE BASIS AND SUBJECT TO CITY ENGINEER APPROVAL.

NOTE: THIS IS SHT. SD-4 OF THE STANDARD CONSTRUCTION DETAILS, ORDINANCE NO. 2013-51 EFFECTIVE DATE: JANUARY 1, 2014

CITY OF MIDLOTHIAN, TEXAS DEPARTMENT OF ENGINEERING, UTILITIES, AND PUBLIC WORKS			
STANDARD CONSTRUCTION DETAILS PAVING			
MEDIAN PAVING & RIP-RAP DETAILS			
NO:	REVISION:	DATE:	SHEET:
			SD-4

